

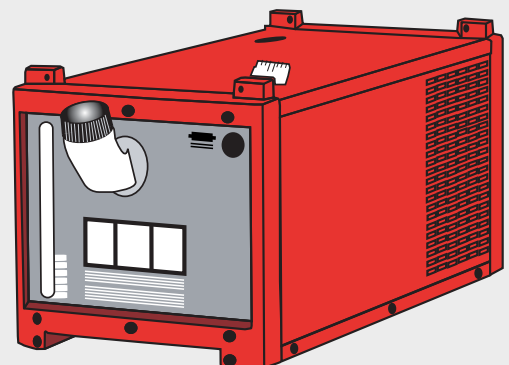


FK 2200
FK 2200 FC

EN

Operating instructions

Cooling unit



42,0426,0035,EN 005-07062021

Contents

Safety rules.....	5
Explanation of safety notices.....	5
General.....	5
Proper use.....	5
Environmental conditions.....	6
Obligations of the operator.....	6
Obligations of personnel.....	6
Mains connection.....	6
Protecting yourself and others.....	7
Noise emission values.....	7
Danger from toxic gases and vapours.....	8
Danger from flying sparks.....	8
Risks from mains current and welding current.....	9
Meandering welding currents.....	10
EMC Device Classifications.....	10
EMC measures.....	10
EMF measures.....	11
Specific hazards.....	11
Requirement for the shielding gas.....	12
Danger from shielding gas cylinders.....	12
Danger from escaping shielding gas.....	13
Safety measures at the installation location and during transport.....	13
Safety measures in normal operation.....	13
Commissioning, maintenance and repair.....	14
Safety inspection.....	14
Disposal.....	15
Safety symbols.....	15
Data protection.....	15
Copyright.....	15
General.....	16
Equipment concept.....	16
Overview.....	16
Area of application.....	16
Information about the coolant.....	16
Information on leaks.....	17
Options.....	18
Installation kit “flow controller“ with water filter.....	18
Installation kit “temperature limit controller“.....	18
Control elements and connections.....	19
Rear side.....	19
Front side.....	19
Fitting the cooling unit to the trolley.....	20
General remarks.....	20
Mount cooling unit on carriage bottom.....	20
Connecting the cooling unit to the power source.....	21
Connect power source with cooling unit.....	21
Transport of cooling unit and power source.....	21
Connecting the welding torch.....	22
Connect welding torch with power source.....	22
Connect welding torch with cooling unit.....	22
Putting the cooling unit into service.....	23
Connect welding torch with power source.....	23
Guarantee provisions regarding the coolant pump.....	23
Information on the coolant.....	23
Fill cooling unit.....	23
Purge cooling unit.....	23
Start operation of cooling unit.....	24
Changing the welding torch.....	24
Care, maintenance and disposal.....	25
General remarks.....	25

Safety.....	25
Symbols for care and maintenance of the cooling unit.....	25
Every start-up.....	25
Every week.....	26
Every 2 months.....	26
Every 6 months.....	26
Every 6 months for 3-shift operation with ethanol-based coolant	26
Every 12 months for single-shift operation with ethanol-based coolant.....	27
Every 12 months in 3-shift operation with FCL 10/20 coolant.....	27
Every 24 months in single-shift operation with FCL 10/20 coolant	27
Applicability of the “General Terms of Delivery and Payment”.....	27
Disposal.....	27
Troubleshooting.....	28
General remarks.....	28
Troubleshooting.....	28
Technical data.....	30
General	30
FK 2200.....	30

Safety rules

Explanation of safety notices

DANGER!

Indicates **immediate danger**.

- ▶ If not avoided, death or serious injury will result.

WARNING!

Indicates a **potentially hazardous situation**.

- ▶ If not avoided, death or serious injury may result.

CAUTION!

Indicates a **situation where damage or injury could occur**.

- ▶ If not avoided, minor injury and/or damage to property may result.

NOTE!

Indicates a **risk of flawed results and possible damage to the equipment**.

General

The device is manufactured using state-of-the-art technology and according to recognised safety standards. If used incorrectly or misused, however, it can cause:

- injury or death to the operator or a third party,
- damage to the device and other material assets belonging to the operating company,
- inefficient operation of the device.

All persons involved in commissioning, operating, maintaining and servicing the device must:

- be suitably qualified,
- have sufficient knowledge of welding and
- read and follow these operating instructions carefully.

The operating instructions must always be at hand wherever the device is being used. In addition to the operating instructions, attention must also be paid to any generally applicable and local regulations regarding accident prevention and environmental protection.

All safety and danger notices on the device

- must be in a legible state,
- must not be damaged,
- must not be removed,
- must not be covered, pasted or painted over.

For the location of the safety and danger notices on the device, refer to the section headed "General" in the operating instructions for the device.

Before switching on the device, rectify any faults that could compromise safety.

This is for your personal safety!

Proper use

The device is to be used exclusively for its intended purpose.

The device is intended solely for the welding processes specified on the rating plate. Any use above and beyond this purpose is deemed improper. The manufacturer shall not be held liable for any damage arising from such usage.

Proper use includes:

- carefully reading and following all the instructions given in the operating instructions
 - studying and obeying all safety and danger notices carefully
 - performing all stipulated inspection and maintenance work.
-

Never use the device for the following purposes:

- Thawing out pipes
 - Charging batteries
 - Starting engines
-

The device is designed for use in industry and the workshop. The manufacturer accepts no responsibility for any damage caused through use in a domestic setting.

The manufacturer likewise accepts no liability for inadequate or incorrect results.

Environmental conditions

Operation or storage of the device outside the stipulated area will be deemed as not in accordance with the intended purpose. The manufacturer shall not be held liable for any damage arising from such usage.

Ambient temperature range:

- during operation: -10 °C to + 40 °C (14 °F to 104 °F)
 - during transport and storage: -20 °C to +55 °C (-4 °F to 131 °F)
-

Relative humidity:

- up to 50% at 40 °C (104 °F)
 - up to 90% at 20 °C (68 °F)
-

The surrounding air must be free from dust, acids, corrosive gases or substances, etc. Can be used at altitudes of up to 2000 m (6561 ft. 8.16 in.)

Obligations of the operator

The operator must only allow persons to work with the device who:

- are familiar with the fundamental instructions regarding safety at work and accident prevention and have been instructed in how to use the device
 - have read and understood these operating instructions, especially the section "safety rules", and have confirmed as much with their signatures
 - are trained to produce the required results.
-

Checks must be carried out at regular intervals to ensure that operators are working in a safety-conscious manner.

Obligations of personnel

Before using the device, all persons instructed to do so undertake:

- to observe the basic instructions regarding safety at work and accident prevention
 - to read these operating instructions, especially the "Safety rules" section and sign to confirm that they have understood them and will follow them.
-

Before leaving the workplace, ensure that people or property cannot come to any harm in your absence.

Mains connection

Devices with a higher rating may affect the energy quality of the mains due to their current consumption.

This may affect a number device types in terms of:

- Connection restrictions
- Criteria with regard to the maximum permissible mains impedance ^{*)}
- Criteria with regard to the minimum short-circuit power requirement ^{*)}

^{*)} at the interface with the public grid
see "Technical data"

In this case, the plant operator or the person using the device should check whether the device may be connected, where appropriate by discussing the matter with the power supply company.

IMPORTANT! Ensure that the mains connection is earthed properly

Protecting yourself and others

Anyone working with the device exposes themselves to numerous risks, e.g.

- flying sparks and hot pieces of metal
- Arc radiation, which can damage eyes and skin
- Hazardous electromagnetic fields, which can endanger the lives of those using cardiac pacemakers
- Risk of electrocution from mains current and welding current
- Greater noise pollution
- Harmful welding fumes and gases

Suitable protective clothing must be worn when working with the device. The protective clothing must have the following properties:

- Flame-resistant
- Insulating and dry
- Covers the whole body, is undamaged and in good condition
- Safety helmet
- Trousers with no turn-ups

Protective clothing refers to a variety of different items. Operators should:

- Protect eyes and face from UV rays, heat and sparks using a protective visor and regulation filter
- Wear regulation protective goggles with side protection behind the protective visor
- Wear stout footwear that provides insulation even in wet conditions
- Protect the hands with suitable gloves (electrically insulated and providing protection against heat)
- Wear ear protection to reduce the harmful effects of noise and to prevent injury

Keep all persons, especially children, out of the working area while any devices are in operation or welding is in progress. If, however, there are people in the vicinity:

- Make them aware of all the dangers (risk of dazzling by the arc, injury from flying sparks, harmful welding fumes, noise, possible risks from mains current and welding current, etc.)
- Provide suitable protective equipment
- Alternatively, erect suitable safety screens/curtains.

Noise emission values

The device generates a maximum sound power level of <80 dB(A) (ref. 1pW) when idling and in the cooling phase following operation at the maximum permissible operating point under maximum rated load conditions according to EN 60974-1.

It is not possible to provide a workplace-related emission value during welding (or cutting) as this is influenced by both the process and the environment. All manner of different welding parameters come into play, including the welding process (MIG/MAG, TIG welding), the type of power selected (DC or AC), the power range, the type of weld metal, the resonance characteristics of the workpiece, the workplace environment, etc.

Danger from toxic gases and vapours

The fumes produced during welding contain harmful gases and vapours.

Welding fumes contain substances that cause cancer, as stated in Monograph 118 of the International Agency for Research on Cancer.

Use at-source extraction and a room extraction system.
If necessary, use a welding torch with an integrated extraction device.

Keep your face away from welding fumes and gases.

Fumes and hazardous gases

- must not be breathed in
- must be extracted from the working area using appropriate methods.

Ensure an adequate supply of fresh air. Ensure that there is a ventilation rate of at least 20 m³ per hour at all times.

Otherwise, a welding helmet with an air supply must be worn.

If there is any doubt about whether the extraction capacity is sufficient, the measured toxic emission values should be compared with the permissible limit values.

The following components are responsible, amongst other things, for the degree of toxicity of welding fumes:

- Metals used for the workpiece
- Electrodes
- Coatings
- Cleaners, degreasers, etc.
- Welding process used

The relevant material safety data sheets and manufacturer's specifications for the listed components should therefore be studied carefully.

Recommendations for trade fair scenarios, risk management measures and for identifying working conditions can be found on the European Welding Association website under Health & Safety (<https://european-welding.org>).

Flammable vapours (e.g. solvent fumes) should be kept away from the arc's radiation area.

Close the shielding gas cylinder valve or main gas supply if no welding is taking place.

Danger from flying sparks

Flying sparks may cause fires or explosions.

Never weld close to flammable materials.

Flammable materials must be at least 11 metres (36 ft. 1.07 in.) away from the arc, or alternatively covered with an approved cover.

A suitable, tested fire extinguisher must be available and ready for use.

Sparks and pieces of hot metal may also get into adjacent areas through small gaps or openings. Take appropriate precautions to prevent any danger of injury or fire.

Welding must not be performed in areas that are subject to fire or explosion or near sealed tanks, vessels or pipes unless these have been prepared in accordance with the relevant national and international standards.

Do not carry out welding on containers that are being or have been used to store gases, propellants, mineral oils or similar products. Residues pose an explosive hazard.

Risks from mains current and welding current

An electric shock is potentially life threatening and can be fatal.

Do not touch live parts either inside or outside the device.

During MIG/MAG welding and TIG welding, the welding wire, the weld pool, the feed rollers and all pieces of metal that are in contact with the welding wire are live.

Always set the wirefeeder up on a sufficiently insulated surface or use a suitable, insulated wirefeeder holder.

Make sure that you and others are protected with an adequately insulated, dry base or cover for the earth or ground potential. This base or cover must extend over the entire area between the body and the earth or ground potential.

All cables and leads must be secured, undamaged, insulated and adequately dimensioned. Replace loose connections and scorched, damaged, or inadequately dimensioned cables and leads immediately.

Use the handle to ensure the power connections are tight before every use.

In the case of power cables with a bayonet connector, rotate the power cable around the longitudinal axis by at least 180° and pretension.

Do not wrap cables or leads around the body or parts of the body.

The electrode (rod electrode, tungsten electrode, welding wire, etc.) must

- never be immersed in liquid for cooling
- Never touch the electrode when the power source is switched on.

Double the open circuit voltage of a power source can occur between the welding electrodes of two power sources. Touching the potentials of both electrodes at the same time may be fatal under certain circumstances.

Arrange for the mains cable to be checked regularly by a qualified electrician to ensure the ground conductor is functioning properly.

Protection class I devices require a mains supply with ground conductor and a connector system with ground conductor contact for proper operation.

Operation of the device on a mains supply without ground conductor and on a socket without ground conductor contact is only permitted if all national regulations for protective separation are observed.

Otherwise, this is considered gross negligence. The manufacturer shall not be held liable for any damage arising from such usage.

If necessary, provide adequate earthing for the workpiece.

Switch off unused devices.

Wear a safety harness if working at height.

Before working on the device, switch it off and pull out the mains plug.

Attach a clearly legible and easy-to-understand warning sign to the device to prevent anyone from plugging the mains plug back in and switching it on again.

After opening the device:

- Discharge all live components
- Ensure that all components in the device are de-energised.

If work on live parts is required, appoint a second person to switch off the main switch at the right moment.

Meandering welding currents

If the following instructions are ignored, meandering welding currents can develop with the following consequences:

- Fire hazard
- Overheating of parts connected to the workpiece
- Irreparable damage to ground conductors
- Damage to device and other electrical equipment

Ensure that the workpiece is held securely by the workpiece clamp.

Attach the workpiece clamp as close as possible to the area that is to be welded.

Position the device with sufficient insulation against electrically conductive environments, e.g. Insulation against conductive floor or insulation to conductive racks.

If distribution boards, twin-head mounts, etc., are being used, note the following: The electrode of the welding torch / electrode holder that is not used is also live. Make sure that the welding torch / electrode holder that is not used is kept sufficiently insulated.

In the case of automated MIG/MAG applications, ensure that only an insulated wire electrode is routed from the welding wire drum, large wirefeeder spool or wirespool to the wirefeeder.

EMC Device Classifications

Devices in emission class A:

- Are only designed for use in industrial settings
- Can cause line-bound and radiated interference in other areas

Devices in emission class B:

- Satisfy the emissions criteria for residential and industrial areas. This is also true for residential areas in which the energy is supplied from the public low-voltage mains.

EMC device classification as per the rating plate or technical data.

EMC measures

In certain cases, even though a device complies with the standard limit values for emissions, it may affect the application area for which it was designed (e.g. when there is sensitive equipment at the same location, or if the site where the device is installed is close to either radio or television receivers).

If this is the case, then the operator is obliged to take appropriate action to rectify the situation.

Check and evaluate the immunity to interference of nearby devices according to national and international regulations. Examples of equipment that may be susceptible to interference from the device include:

- Safety devices
- Power, signal and data transfer lines
- IT and telecommunications devices
- Measuring and calibrating devices

Supporting measures for avoidance of EMC problems:

1. Mains supply
 - If electromagnetic interference arises despite correct mains connection, additional measures are necessary (e.g. use a suitable line filter).
2. Welding power leads
 - must be kept as short as possible
 - must run close together (to avoid EMF problems)
 - must be kept well apart from other leads
3. Equipotential bonding
4. Earthing of the workpiece
 - If necessary, establish an earth connection using suitable capacitors.

5. Shielding, if necessary
 - Shield off other nearby devices
 - Shield off entire welding installation

EMF measures

Electromagnetic fields may pose as yet unknown risks to health:

- effects on the health of others in the vicinity, e.g. wearers of pacemakers and hearing aids
- wearers of pacemakers must seek advice from their doctor before approaching the device or any welding that is in progress
- for safety reasons, keep distances between the welding cables and the welder's head/torso as large as possible
- do not carry welding cables and hosepacks over the shoulders or wind them around any part of the body

Specific hazards

Keep hands, hair, clothing and tools away from moving parts. For example:

- Fans
- Cogs
- Rollers
- Shafts
- Wirespools and welding wires

Do not reach into the rotating cogs of the wire drive or into rotating drive components.

Covers and side panels may only be opened/removed while maintenance or repair work is being carried out.

During operation

- Ensure that all covers are closed and all side panels are fitted properly.
- Keep all covers and side panels closed.

The welding wire emerging from the welding torch poses a high risk of injury (piercing of the hand, injuries to the face and eyes, etc.).

Therefore always keep the welding torch away from the body (devices with wire-feed unit) and wear suitable protective goggles.

Never touch the workpiece during or after welding - risk of burns.

Slag can jump off cooling workpieces. The specified protective equipment must therefore also be worn when reworking workpieces, and steps must be taken to ensure that other people are also adequately protected.

Welding torches and other parts with a high operating temperature must be allowed to cool down before handling.

Special provisions apply in areas at risk of fire or explosion - observe relevant national and international regulations.

Power sources for work in areas with increased electric risk (e.g. near boilers) must carry the "Safety" sign. However, the power source must not be located in such areas.

Risk of scalding from escaping coolant. Switch off cooling unit before disconnecting coolant flow or return lines.

Observe the information on the coolant safety data sheet when handling coolant. The coolant safety data sheet may be obtained from your service centre or downloaded from the manufacturer's website.

Use only suitable load-carrying equipment supplied by the manufacturer when transporting devices by crane.

- Hook chains and/or ropes onto all suspension points provided on the load-carrying equipment.
- Chains and ropes must be at the smallest angle possible to the vertical.
- Remove gas cylinder and wire-feed unit (MIG/MAG and TIG devices).

If the wire-feed unit is attached to a crane holder during welding, always use a suitable, insulated wirefeeder hoisting attachment (MIG/MAG and TIG devices).

If the device has a carrying strap or handle, this is intended solely for carrying by hand. The carrying strap is not to be used if transporting with a crane, counterbalanced lift truck or other mechanical hoist.

All lifting accessories (straps, handles, chains, etc.) used in connection with the device or its components must be tested regularly (e.g. for mechanical damage, corrosion or changes caused by other environmental factors).

The testing interval and scope of testing must comply with applicable national standards and directives as a minimum.

Odourless and colourless shielding gas may escape unnoticed if an adapter is used for the shielding gas connection. Prior to assembly, seal the device-side thread of the adapter for the shielding gas connection using suitable Teflon tape.

Requirement for the shielding gas

Especially with ring lines, contaminated shielding gas can cause damage to equipment and reduce welding quality.

Meet the following requirements regarding shielding gas quality:

- Solid particle size < 40 µm
 - Pressure condensation point < -20 °C
 - Max. oil content < 25 mg/m³
-

Use filters if necessary.

Danger from shielding gas cylinders

Shielding gas cylinders contain gas under pressure and can explode if damaged. As the shielding gas cylinders are part of the welding equipment, they must be handled with the greatest of care.

Protect shielding gas cylinders containing compressed gas from excessive heat, mechanical impact, slag, naked flames, sparks and arcs.

Mount the shielding gas cylinders vertically and secure according to instructions to prevent them falling over.

Keep the shielding gas cylinders well away from any welding or other electrical circuits.

Never hang a welding torch on a shielding gas cylinder.

Never touch a shielding gas cylinder with an electrode.

Risk of explosion - never attempt to weld a pressurised shielding gas cylinder.

Only use shielding gas cylinders suitable for the application in hand, along with the correct and appropriate accessories (regulator, hoses and fittings). Only use shielding gas cylinders and accessories that are in good condition.

Turn your face to one side when opening the valve of a shielding gas cylinder.

Close the shielding gas cylinder valve if no welding is taking place.

If the shielding gas cylinder is not connected, leave the valve cap in place on the cylinder.

The manufacturer's instructions must be observed as well as applicable national and international regulations for shielding gas cylinders and accessories.

Danger from escaping shielding gas

Risk of suffocation from the uncontrolled escape of shielding gas

Shielding gas is colourless and odourless and, in the event of a leak, can displace the oxygen in the ambient air.

- Ensure an adequate supply of fresh air with a ventilation rate of at least 20 m³/hour.
 - Observe safety and maintenance instructions on the shielding gas cylinder or the main gas supply.
 - Close the shielding gas cylinder valve or main gas supply if no welding is taking place.
 - Check the shielding gas cylinder or main gas supply for uncontrolled gas leakage before every start-up.
-

Safety measures at the installation location and during transport

A device toppling over could easily kill someone. Place the device on a solid, level surface such that it remains stable

- The maximum permissible tilt angle is 10°.
-

Special regulations apply in rooms at risk of fire or explosion

- Observe relevant national and international regulations.
-

Use internal directives and checks to ensure that the workplace environment is always clean and clearly laid out.

Only set up and operate the device in accordance with the degree of protection shown on the rating plate.

When setting up the device, ensure there is an all-round clearance of 0.5 m (1 ft. 7.69 in.) to ensure that cooling air can flow in and out freely.

When transporting the device, observe the relevant national and local guidelines and accident prevention regulations. This applies especially to guidelines regarding the risks arising during transport.

Do not lift or transport operational devices. Switch off devices before transport or lifting.

Before transporting the device, allow coolant to drain completely and detach the following components:

- Wirefeeder
 - Wirespool
 - Shielding gas cylinder
-

After transporting the device, the device must be visually inspected for damage before commissioning. Any damage must be repaired by trained service technicians before commissioning the device.

Safety measures in normal operation

Only operate the device when all safety devices are fully functional. If the safety devices are not fully functional, there is a risk of

- injury or death to the operator or a third party
 - damage to the device and other material assets belonging to the operator
 - inefficient operation of the device
-

Any safety devices that are not functioning properly must be repaired before switching on the device.

Never bypass or disable safety devices.

Before switching on the device, ensure that no one is likely to be endangered.

Check the device at least once a week for obvious damage and proper functioning of safety devices.

Always fasten the shielding gas cylinder securely and remove it beforehand if the device is to be transported by crane.

Only the manufacturer's original coolant is suitable for use with our devices due to its properties (electrical conductivity, anti-freeze agent, material compatibility, flammability, etc.).

Only use suitable original coolant from the manufacturer.

Do not mix the manufacturer's original coolant with other coolants.

Only connect the manufacturer's system components to the cooling circuit.

The manufacturer accepts no liability for damage resulting from use of other system components or a different coolant. In addition, all warranty claims will be forfeited.

Cooling Liquid FCL 10/20 does not ignite. The ethanol-based coolant can ignite under certain conditions. Transport the coolant only in its original, sealed containers and keep well away from any sources of ignition.

Used coolant must be disposed of properly in accordance with the relevant national and international regulations. The coolant safety data sheet may be obtained from your service centre or downloaded from the manufacturer's website.

Check the coolant level before starting to weld, while the system is still cool.

Commissioning, maintenance and repair

It is impossible to guarantee that bought-in parts are designed and manufactured to meet the demands made of them, or that they satisfy safety requirements.

- Use only original spare and wearing parts (also applies to standard parts).
 - Do not carry out any modifications, alterations, etc. to the device without the manufacturer's consent.
 - Components that are not in perfect condition must be replaced immediately.
 - When ordering, please give the exact designation and part number as shown in the spare parts list, as well as the serial number of your device.
-

The housing screws provide the ground conductor connection for earthing the housing parts.

Only use original housing screws in the correct number and tightened to the specified torque.

Safety inspection

The manufacturer recommends that a safety inspection of the device is performed at least once every 12 months.

The manufacturer recommends that the power source be calibrated during the same 12-month period.

A safety inspection should be carried out by a qualified electrician

- after any changes are made
 - after any additional parts are installed, or after any conversions
 - after repair, care and maintenance has been carried out
 - at least every twelve months.
-

For safety inspections, follow the appropriate national and international standards and directives.

Further details on safety inspection and calibration can be obtained from your service centre. They will provide you on request with any documents you may require.

Disposal

Do not dispose of this device with normal domestic waste! To comply with the European Directive on Waste Electrical and Electronic Equipment and its implementation as national law, electrical equipment that has reached the end of its life must be collected separately and returned to an approved recycling facility. Any device that you no longer require must either be returned to your dealer or given to one of the approved collection and recycling facilities in your area. Ignoring this European Directive may have potentially adverse effects on the environment and your health!

Safety symbols

Devices with the CE mark satisfy the essential requirements of the low-voltage and electromagnetic compatibility directives (e.g. relevant product standards of the EN 60 974 series).

Fronius International GmbH hereby declares that the device is compliant with Directive 2014/53/EU. The full text on the EU Declaration of Conformity can be found at the following address: <http://www.fronius.com>

Devices marked with the CSA test mark satisfy the requirements of the relevant standards for Canada and the USA.

Data protection

The user is responsible for the safekeeping of any changes made to the factory settings. The manufacturer accepts no liability for any deleted personal settings.

Copyright

Copyright of these operating instructions remains with the manufacturer.

The text and illustrations are all technically correct at the time of printing. We reserve the right to make changes. The contents of the operating instructions shall not provide the basis for any claims whatsoever on the part of the purchaser. If you have any suggestions for improvement, or can point out any mistakes that you have found in the instructions, we will be most grateful for your comments.

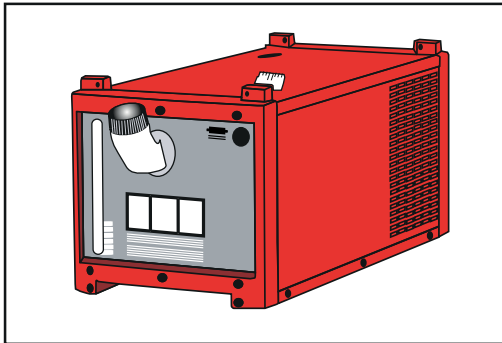
General

Equipment concept

The cooling unit FK 2200 is suitable for the following power sources:

- TransTig 2200
- MagicWave 1700/2200

Overview



The cooling unit perfectly fits in the modular product concept of the power sources TransTig 2200 and MagicWave 1700/2200.

The cooling unit is combined with the power source to form a unit. As in the case of the power source, the combination of power source and cooling unit is also suitable for being mounted on the carriage.

The cooling unit FK 2200 can also be equipped with the optional “flow controller” and the “temperature limit controller”. If the cooling unit is fitted with these options or if you have a FK 2200 FC variant with a flow sensor, the power source will always switch off for process reliability reasons if one of the following events occur:

- The flowrate drops below a determined flowrate value (e.g. the coolant level in the coolant container is too low)
- A determined water return temperature is exceeded (e.g. welding torch overheated)

A corresponding alarm message is displayed on the operating panel of the power source.

Area of application

The cooling unit FK 2200 can be used for:

- MagicWave 1700
- TransTig / MagicWave 2200
- Water-cooled manual TIG torch, also for TIG cold-wire welding
- Water-cooled machine TIG torch, also for TIG cold-wire welding

The maximum cable assembly lengths for the welding torches are as follows:

- 18 m (59 ft.) in the case of MagicWave 1700
 - 18 m (59 ft.) in the case of TransTig / MagicWave 2200
-

Information about the coolant

CAUTION!

Danger from using non-permitted coolant.

This can result in serious damage to property.

- ▶ Only use coolant available from the manufacturer.
 - ▶ Do not mix different coolants.
 - ▶ When changing the coolant, make sure all the coolant is replaced.
 - ▶ When switching from ethanol-based coolant to FCL 10 coolant, Change Kit FCL10 must be used and the instructions provided must be followed.
-

Information on leaks

The shaft sealing surfaces inside the coolant pump are lubricated by the coolant, meaning that a certain leakage flow should always be expected. A low leakage flow is permitted.

The coolant pump requires a certain warm-up time after being started for the first time or upon restarting after a long period of downtime. An increased leakage flow can occur during this warm-up phase. The leakage flow will normally sink back down to a low level after the warm-up phase. If this is not the case then contact After-Sales Service.

Options

**Installation kit
“flow control-
ler” with water fil-
ter**

The optional flow controller with water filter controls the coolant flowrate during welding. If an error with regards to the coolant flowrate occurs, the optional flow controller emits a signal. The power source switches off.

A coolant flowrate error can be caused by

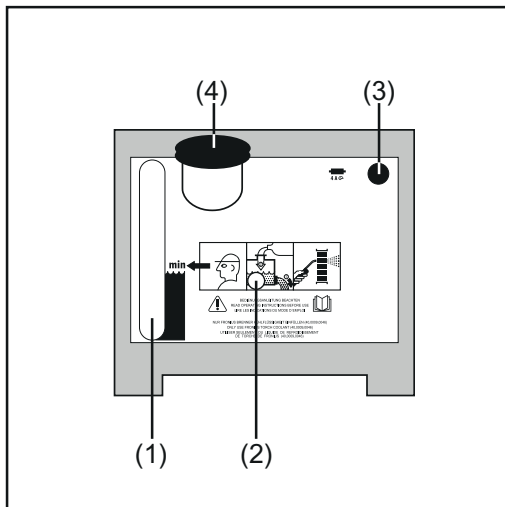
- not sufficient coolant
- cooling circulation not vented sufficiently
- contaminated coolant
- leaks in the cooling circulation
- defective coolant pumps
- frozen coolant (operating temperature too low)

**Installation kit
“temperature
limit controller”**

The optional temperature limit controller controls the coolant temperature. If the temperature of the coolant is too high, the optional temperature limit controller emits a signal. The power source switches off.

Control elements and connections

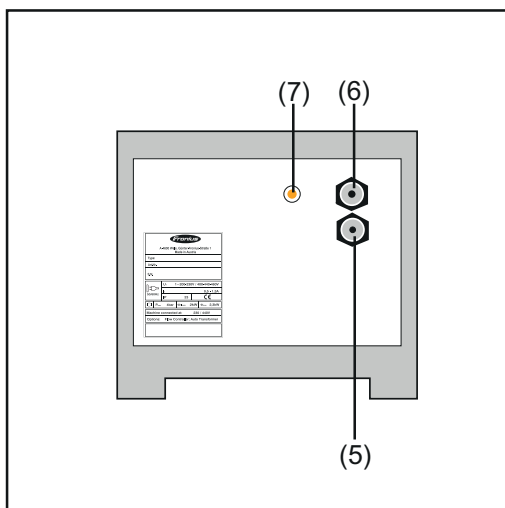
Rear side



FK 2200 connections on the rear side

- (1) **Guard window "coolant"**
- (2) **Bushing for coolant pump shaft**
- (3) **Coolant pump fuse**
- (4) **Screw cap / filler**

Front side



FK 2200 connections on the front side

- (5) **Plug-in connection water flow (black)**
- (6) **Plug-in connection water return (red)**
- (7) **Control display ... illuminated if coolant pump running**

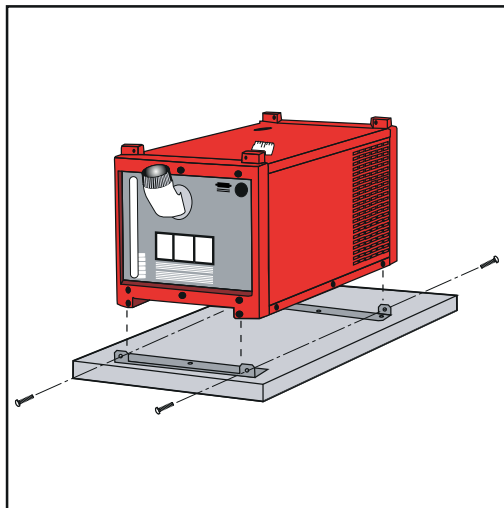
Fitting the cooling unit to the trolley

General remarks In order to increase the mobility of the entire welding machine incl. cooling unit, it is possible to mount the welding machine on a carriage.

NOTE!

The cooling unit is always installed on the bottom.

Mount cooling unit on carriage bottom



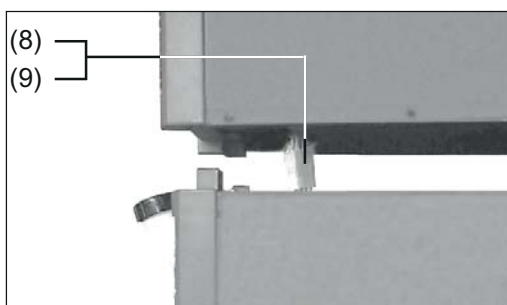
- 1 Switch mains switch in position "O"
- 2 Mount mounting angles with three Extrude-Tite screws each on the carriage bottom.
- 3 Place cooling unit on carriage bottom
- 4 Screw cooling unit with two Extrude-Tite screws each to the front and rear mounting angle on the carriage bottom.

IMPORTANT!

The mounting of the power source on the carriage (without cooling unit) is identical with the procedure described above.

Connecting the cooling unit to the power source

Connect power source with cooling unit



Plug-type connection between power source and cooling unit

- 1 Switch mains switch in position "O"
- 2 Place power source on cooling unit: Leave the power source suspended from a suitable lifting device over the cooling unit
- 3 Pull connection plug (8) of the power source as far as possible through the opening at the bottom

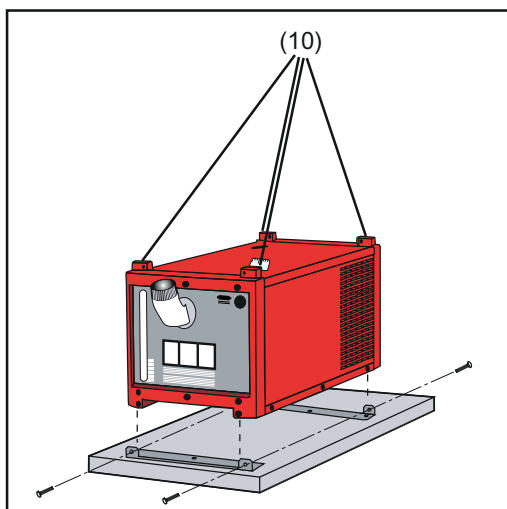
- 4 Connect plug-type connection (9) between power source and cooling unit

CAUTION!

Kinked or damaged cables can cause short circuits.

When positioning the power source, prevent the connection plug and the cable from getting kinked or damaged.

- 5 Carefully place the power source on the cooling unit



Mounting angles for mounting the power source

- 6 Fix power source with enclosed screws (10) at front and rear side of the cooling unit

CAUTION!

Danger caused by overturning or falling devices.

Check all screwed connections for tight seat.

Transport of cooling unit and power source

CAUTION!

There is danger of injury due to dropping devices.

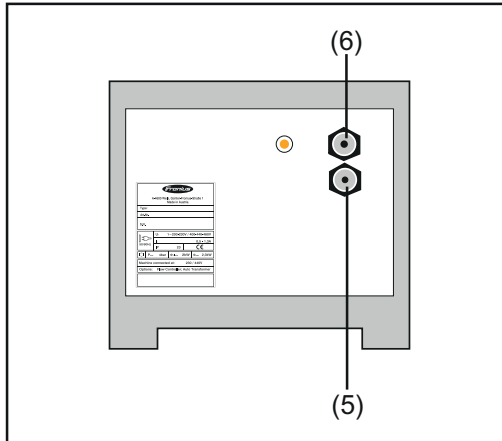
For the transport of the power source with the cooling mounted fixed it is required that the power source is equipped with a "transport handle".

Connecting the welding torch

Connect welding torch with power source

- 1 Connect welding torch with power source (see operating instructions "Power Source").
-

Connect welding torch with cooling unit



- 1 Connect water connections of the welding torch with the connections of water flow (5) - black - and water return (6) - red - of the cooling unit.

Water connections for the welding torch

Putting the cooling unit into service

Connect welding torch with power source

- 1 Connect welding torch with power source (see operating instructions "Power Source").

Guarantee provisions regarding the coolant pump

The coolant pump may only be used with original coolant supplied by the manufacturer. Do not allow the coolant pump to run dry (even for a very short time), as this will destroy the coolant pump. The manufacturer accepts no liability for damage caused in such cases.

Information on the coolant

Only use original Fronius coolant for the filling of the cooling unit. Other antifreezers cannot be recommended due to their electric conductivity and compatibility.

Fill cooling unit

IMPORTANT!

The cooling unit is delivered without coolant.

The coolant is delivered separately in a 5l can. Fill in the coolant before you start cooling unit operation!

Filling of coolant:

- 1 Switch mains switch of the power source in position "O"
- 2 Unscrew screw cap
- 3 Fill in coolant
- 4 Screw screw cap again - the cooling unit is ready for operation

NOTE!

When the cooling unit is filled with the coolant for the first time, it is required to purge the cooling unit before the start-up.

Purge cooling unit

Purge the cooling unit

- after the first filling,
- if there is no coolant circulation although the cooling pump works.

Purge cooling unit:

- 1 Plug in mains plug or connect power supply
- 2 Switch mains switch in position "I" - the cooling unit is ready for operation
- 3 Shift back safety ring on the plug-type connection of water flow - black
- 4 Disconnect water flow hose
- 5 Press in carefully and hold conical nipple in the centre of the plug-type connection of the water flow by means of a wooden or plastic pin
- 6 Release conical nipple as soon as liquid penetrates

- 7 Reconnect water flow hose
- 8 Check water hoses for tightness

Repeat purge until proper return flow to the filler neck is ensured.

Start operation of cooling unit

NOTE!

Before any start-up of the cooling unit, check the coolant level as well as the coolant purity.

- 1 Connect supply of power source(s)
- 2 Switch mains switch of the power source(s) in position "I" - the cooling pump starts operation.
- 3 Check coolant flow until proper flow is ensured. If necessary, deairate coolant circulation.

NOTE!

During welding check coolant flow at regular intervals - a proper return flow must be visible in the filler neck.

Changing the welding torch

CAUTION!

Excess pressure will damage the cooling unit.

Before blowing out the welding torch with compressed air, undo the screw cap on the fill nozzle.

Care, maintenance and disposal

General remarks Under normal operating conditions the cooling unit requires only a minimum of care and maintenance. However, it is indispensable to follow some important points to ensure the operability of the welding machine for many years.

Safety

WARNING!

An electric shock can be fatal.

Before opening up the machine, switch it off, unplug it from the mains and put up a clearly legible and easy-to-understand warning sign to stop anybody inadvertently switching the machine back on again. The casing screws are a suitable protective conductor connection for grounding the casing. The screws must not be replaced by other screws without reliable protective conductor connection.

CAUTION!

Danger of scalding from hot coolant fluid.

Do not inspect the coolant connection points until the coolant has been allowed to cool.

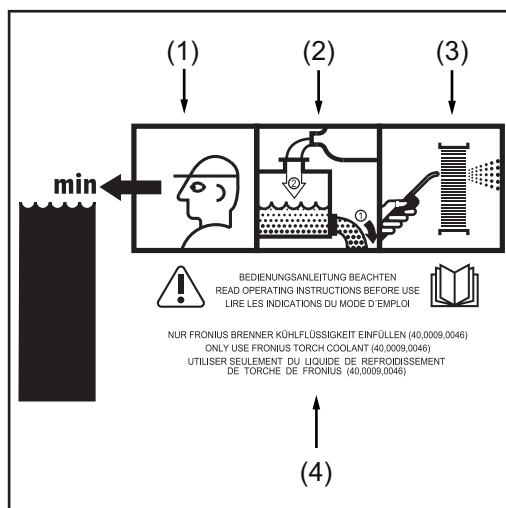
IMPORTANT!

The coolant must not be disposed of via the sewerage!

NOTE!

For refilling the cooling unit only use coolant of the manufacturer.

Symbols for care and maintenance of the cooling unit



- (1) Check coolant level
- (2) Change the coolant
- (3) Gas purge the cooler
- (4) Read operating instructions

The relevant maintenance intervals and work are described in detail in the following pages.

Every start-up

- Check welding torch, interconnection cable assembly and bondings for damage
- Check whether the allround distance of 0.5 m (1.6 ft.) is kept to ensure that the cooling air can easily flow and escape.

NOTE!

Furthermore, air inlets and outlets must in no case be covered, not even covered partly.

⚠ CAUTION!

Danger of scalding from hot coolant fluid.

Do not inspect the coolant connection points until the coolant has been allowed to cool.

If water-cooled welding torch is used:

- Check water connections for tightness
- Control water return flowrate in coolant container
- If there is no water return flow, check cooling unit and purge if necessary

NOTE!

If water-cooled welding torches are operated without cooling water, this mostly causes a defect of the torch body or the hose pack.

The manufacturer does not accept responsibility for any consequential damages. Any warranty claims expire.

Every week

- 1 Check the coolant level as well as the coolant purity.
 - 2 If the coolant level drops below the "min" mark ... refill coolant.
-

Every 2 months

- 1 Check the coolant level as well as the coolant purity.
 - 2 If the coolant level drops below the "min" mark ... refill coolant.
-

Every 6 months

- 1 Dismantle machine side panels and clean machine inside with dry reduced compressed air

NOTE!

Risk of damage to electronic components.

Clean electronic components from a certain distance only.

- 1 Clean also the water coolers in the case of excessive dust
-

**Every 6 months
for 3-shift operation
with ethanol-
based coolant**

- 1 Gas purge the cooler
- 2 Change the coolant

Every 12 months for single-shift operation with ethanol-based coolant

- 1 Change the ethanol-based coolant
- 2 Dispose of coolant properly.

Every 12 months in 3-shift operation with FCL 10/20 coolant

- 1 Change the coolant
- 2 Dispose of coolant properly.

Every 24 months in single-shift operation with FCL 10/20 coolant

- 1 Change the coolant
- 2 Dispose of coolant properly.

Applicability of the “General Terms of Delivery and Payment”

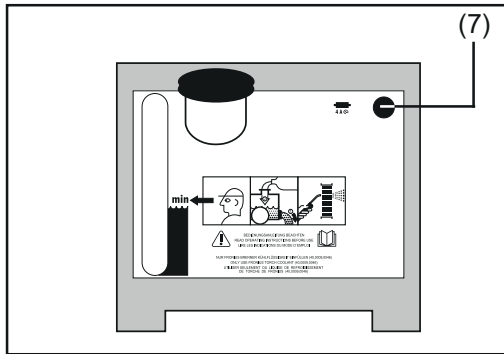
With respect to cooling units, the warranty provisions of the “General Terms of Delivery and Payment” referred to in the pricelist shall only apply where the following conditions are fulfilled:

- max. 8 operating hours per day (single-shift operation)
- only Fronius coolant may be used
- the unit is given regular maintenance and the coolant is changed regularly

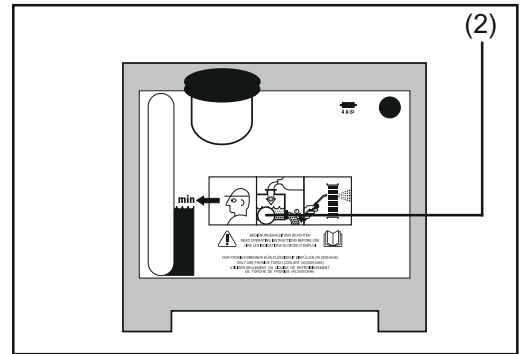
Disposal Dispose of in accordance with the applicable national and local regulations.

Troubleshooting

- General remarks** If the cooling unit is equipped with one of the following options, the corresponding error message is displayed on the operating panel of the power source:
- flow controller ... no | H2O (coolant flow error)
 - temperature controller... hot | H2O (excess coolant temperature)



Coolant pump fuse



Fushing for rotating motor shaft if the coolant pump is blocked

Troubleshooting

Coolant flow too low or no flow

Cause: Coolant level too low

Remedy: Refill coolant

Cause: Throat or foreign substance in the cooling circulation

Remedy: Remove throat or foreign substance

Cause: Cooling pump fuse defective

Remedy: Replace coolant pump fuse

Cause: Cooling pump defective

Remedy: Replace cooling pump

Cause: Cooling pump blocked

- Remedy:
- Remove coolant pump fuse (7)
 - Insert suitable screw driver through motor shaft bushing
 - Rotate motor shaft (2)
 - Replace coolant pump fuse (7)

Cause: Cooling filter (option) at plug-type connection of water return line clogged

Remedy: Clean cooling filter with clean tap water or replace filter insert

Cooling capacity too low

Cause: Fan defective

Remedy: Replace fan

Cause: Cooling pump defective

Remedy: Replace coolant pump

Cause: Cooler contaminated

Remedy: Clean cooler with dry compressed air

Cause: Cooling capacity of cooling unit too low

Remedy: Use cooling unit with higher cooling capacity

High operating noise level

Cause: Coolant level too low

Remedy: Refill coolant

Cause: Cooling pump defective

Remedy: Replace coolant pump

no | H2O

The flow watchdog (option) or flow sensor in the cooling unit has tripped. The error message is displayed on the operating panel of the power source.

Cause: Cooling flow error

Remedy: Check cooling unit; if necessary, refill coolant and purge water flow line according to the Chapter "Start operation of the cooling unit"

Cause: Water filter clogged

Remedy: Clean or replace water filter

hot | H2O

The thermal controller of the cooling unit has responded. The error message is displayed on the operating panel of the power source.

Cause: Excessive coolant temperature

Remedy: Wait the cooling-down time until hot | H2O is no longer displayed.
ROB 5000 or fieldbus coupler for robot control: before welding is started again, reset signal "source error reset".

Welding torch excessively hot

Cause: Welding torch dimensioned insufficiently

Remedy: Pay attention to duty cycle and load limits

Cause: Only with water-cooled systems: water flowrate too low

Remedy: Check water level, water flowrate, water contamination etc., coolant pump blocked: rotate coolant pump shaft by means of screw driver (2)

Technical data

General

The cooling capacity of a cooling unit depends on

- Ambient temperature
- Delivery head
- Flow rate Q (l/min) - The flow rate Q depends on the length of the interconnecting hosepack and the diameter of the hose.

FK 2200

Supply voltage	230 V AC
Supply voltage tolerance	-30% / +15%
Frequency	50 / 60 Hz
Current draw	1,35 A
Cooling capacity Q = 1 l/min + 20 °C (68 °F) Q = 1 l/ min + 40 °C (104 °F) Q = max. + 20 °C (68 °F) Q = max. + 40 °C (104 °F)	850 W 500 W 950 W 570 W
Max. rise	25 m 82 ft.
Max. flowrate	3 l/min 0.79 gal./min [US]
Max. pump pressure	4,3 bar 62 psi
Pump	centrifugal pump 24 V
Coolant contents	1,5 l 0.4 gal. [US]
Enclosure protection	IP 23
Measurements l/w/h	540/180/180 mm 21.3/7.1/7.1 in.
Weight (without coolant)	6,6 kg 14.5 lb.
Weight (with minimum coolant)	7 kg 15.4 lb.
Signs	S, CE

FRONIUS INTERNATIONAL GMBH

Froniusstraße 1
A-4643 Pettenbach
AUSTRIA
contact@fronius.com
www.fronius.com

Under **www.fronius.com/contact** you will find the addresses
of all Fronius Sales & Service Partners and locations



Find your
spareparts online



spareparts.fronius.com